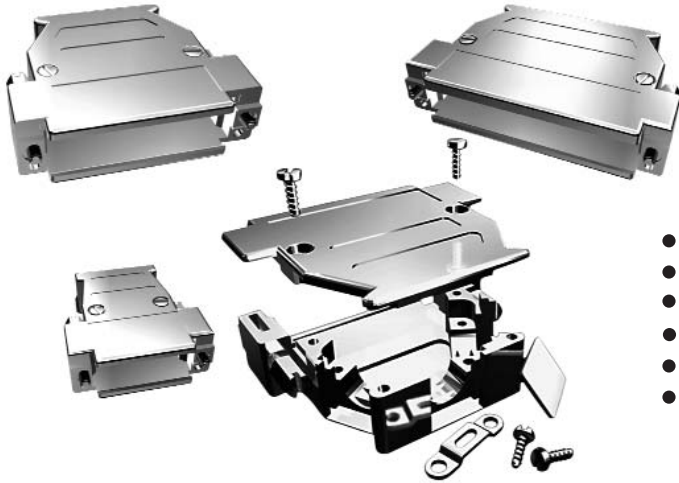


CMP3 SERIES - THREE WAY EXIT 2-PIECE METALIZED PLASTIC CONNECTOR COVERS



FEATURES:

- 3 Cable Exits For Increased Versatility.
- Accommodates Multiple Cable & Cable O.D.'s.
- Exit Can Be Closed Off For Use As A Terminator.
- Includes Blanking Plates For Closing Off Unused Exits.
- Exits For 25 & 37 Position - 60° x 2 & Straight Exit x 1.
- Exits For 15 Position - 80° x 2 & Straight Exit x 1.

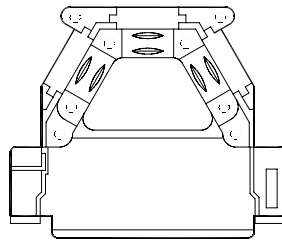
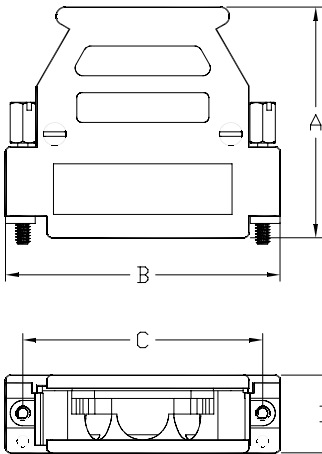
SPECIFICATIONS:

Available Sizes:	15, 25 & 37 Position
Cover Material:	Plating Grade ABS
Finish:	Bright Nickel over Copper Under-plate
Blanking Plates:	CR Steel w/ Zinc Chromate Finish
Jackscrews:	CR Steel w/ Zinc Chromate Finish
Assembly Screws:	CR Steel w/ Zinc Chromate Finish
Cable Clamp:	CR Steel w/ Zinc Chromate Finish

NOTE:

Each Cover Includes:	1 - Cover Top & Bottom
	2 - Jackscrews
	4 - Assembly Screws
	1 - Cable Clamp*
	2 - Blanking Plates*

* Additional Cable Clamps and Blanking Plates Sold Separately



CMP3 SERIES – THREE WAY EXIT - DIMENSIONS

Size	PART NUMBERS	INCHES [MM]			
		A	B	C	D
15 Position	MHD3MK15KS	1.780 [45.20]	1.570 [40.00]	1.312 [33.32]	0.590 [15.00]
25 Position	MHD3MK25KS	1.780 [45.20]	2.110 [53.50]	1.857 [47.17]	0.590 [15.00]
37 Position	MHD3MK37KS	1.780 [45.20]	2.760 [70.00]	2.500 [63.50]	0.590 [15.00]