

To: General Release
From: John S. DiPietro
CC:
Date: 19-Oct-01
Re: New Hardware Accessories

Over the past few years I have received many requests for female screw-lock kits that can be mounted on standard two-piece connector covers.

The only commercially available solution on the market is a female screw-lock with extended #2-56 thread, washer, lock washer and nut assembly.

Although the competition's solution served the purpose, simply sourcing a direct replacement was not my idea of providing the right solution. I felt there was a better way to provide a female screw-lock mounted on a two-piece cover.

Great News! Northern now offers a more reliable and esthetically appealing solution.

We are pleased to introduce this as our *Hex Extender* Kit.

We can now offer, but not limited to, a #4-40 Class 2A and a M2.5 x 0.45MM Pitch hex extender kit. A M3 x 0.45MM Pitch will soon be available. As always, custom thread types are available.

The following page shows the Competitor's style (Fig. 1) and Northern style (Fig. 2) methods of assembly.

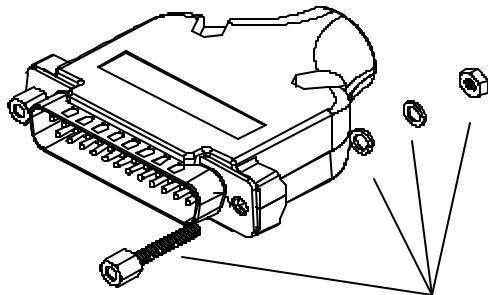
The Competitor's style is esthetically unappealing and the exposure of the nut, washer & thread makes the reliability of the assembly questionable. The absence of a saddle washer will also cause the cover halves to split apart when the assembly is used with plastic or metalized plastic covers.

The Northern style provides a reliable and esthetically pleasing assembly which can be retrofitted with different thread type female screw-locks simply by removing the old hex extender and replacing it with another style hex extender. The captive screw & saddle washer remain cradled within the connector cover housing so there is less fumbling with additional components.

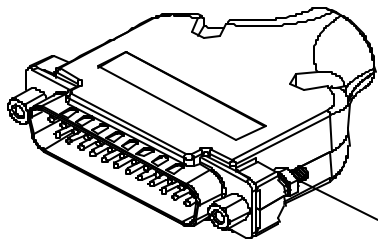
For technical documents please contact Northern Engineering.

John

Figure 1 (Competitor's Method)

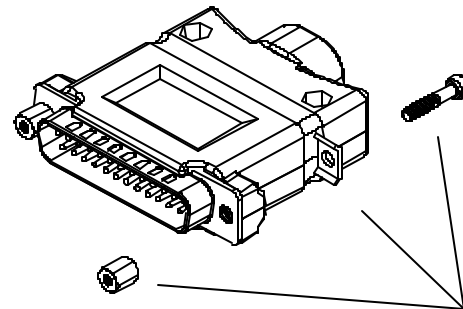


Thread, washer, lock washer & nut system is awkward to assemble.

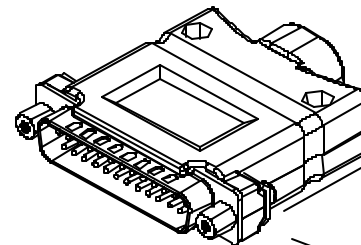


Exposed thread makes assembly appear crude and unreliable.

Figure 2 (NTC Method)



Only 3 Simple Components



Saddle Washer Keeps Cover Halves Together

Reliable, Appealing & Easy to Modify.